

The DM-1300 is a microphone suited to both vocal and speech applications.

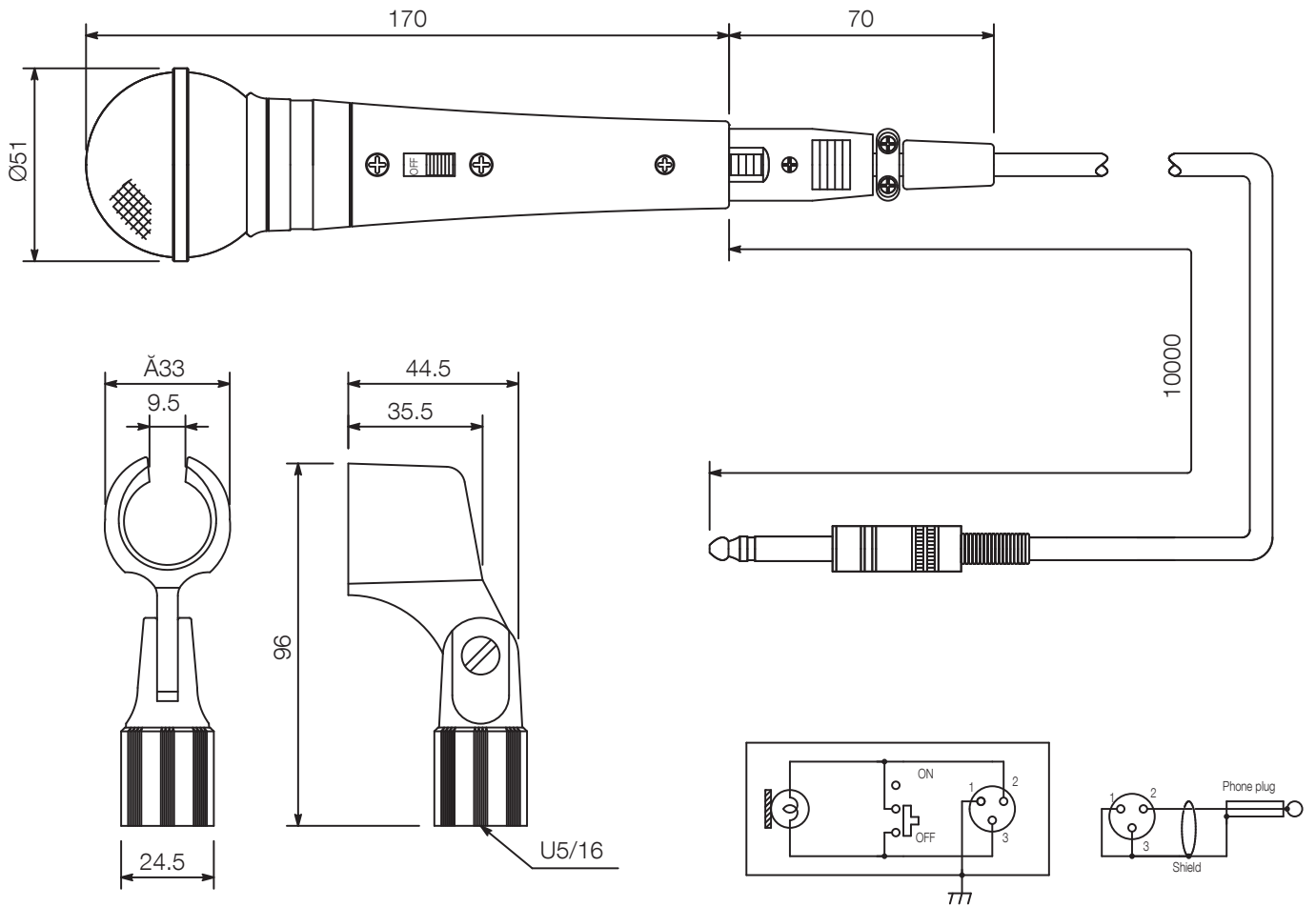


Article number:DM-1300

Specifications

Frequency response	70 Hz - 15 kHz
Connection	3-pin XLR jack
Rated impedance	600 Ω
Controls	Talk switch: Short-off type, slide on/off switch
Microphone type	Dynamic microphone
Directivity	Unidirectional
Sensitivity	-54 dB (1 kHz 0 dB = 1 V/Pa)
Dimensions (W x H x D)	x 170
Dimensions (ϕ x D)	51 x 170 mm
Finish	Zinc, die-cast, paint, grey metallic,

Appearance



Circuit Diagram

UNIT:mm SCALE:1/2